

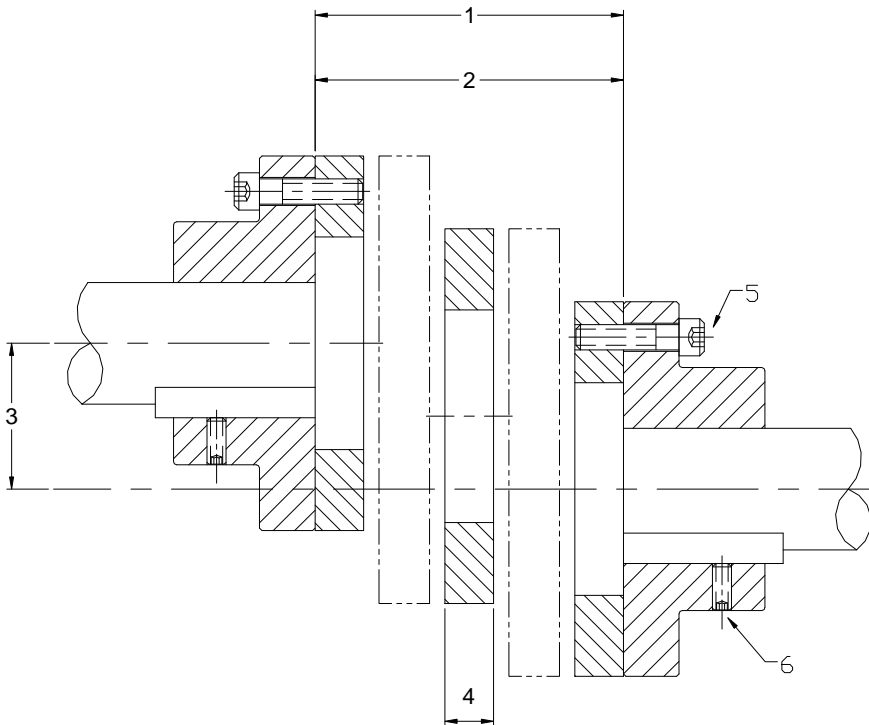
MOTION CONTROL PRODUCTS

Mounting and Lubrication Instructions for Schmidt Offset Couplings

For Coupling Models: L259C / L270C / L280C / L290C

The Schmidt Offset Coupling will function properly if these mounting, maintenance and lubrication instructions are followed. Failure to observe these instructions may result in reduced coupling life.

Mounting Instructions



It is important that the following assembly dimensions and tolerances are maintained before and during coupling operation.

Lubrication Instructions

The Schmidt Offset Coupling should be lubricated after the first 200 hours of operation, and again as specified by the lubrication schedule below.

RPM	Under 500	500 to 1000	Over 1000
Lube Cycle	Every 1000 Hours	Every 500 Hours	Every 200 Hours

Note: Always make certain that the lubrication fittings are clean before adding lubricant to prevent the introduction of foreign matter into the bearings. Use standard Alemite flush-type fitting Z-737. Recommended Lubricant: Darina No. 2 (EP) Oil based grease

Position shafts and hubs according to the following values:

1. Hub faces to be parallel within:-----> .025 inch
 Speeds above 1000 rpm should be .015 inch or less.
Minimizing angular misalignment will allow the coupling bearings to achieve their maximum lifetime.
2. Distance between the hub faces:-----> 6.37 +/- .032 inch
3. Minimum shaft displacement not less than:-----> 0.870 inch
 Maximum shaft displacement not to exceed:-----> 3.150 inch
The Schmidt Offset Coupling cannot operate properly outside these limits.
4. Mount coupling between hubs. After installation of the coupling, check that the center disc is free to move laterally a small amount (approximately .015"-.025"). Remove handling bolt after coupling has been fixed to the hubs (L280C & L290C only).
5. Tighten hub bolts to the end discs of the coupling.
6. Tighten setscrews in hub. If shock loads are expected, use two set screws per hub.

Spare Parts for Schmidt Offset Couplings

Item Description	Item Number	L259C	L270C	L280C	L290C
Quantity Required Per Coupling					
Spacer	S953100	12	16	20	24
Thrust Washer	S953200	12	16	20	24
Flat Head Screw	S458500	12	16	20	24
Tinnerman Washer	S952300	12	16	20	24
Needle Bearing	S501400	12	16	20	24
Link Assembly ⁽¹⁾	S701750	6	8	10	12
Long Shaft	S854000	3	4	5	6
Short Shaft	S854100	6	8	10	12

(1) Link assembly part number includes two bearings installed in each link.

Rebuild Kits for Schmidt Offset Couplings

Standard rebuild kits are available for Schmidt Offset Couplings. Rebuild kits consist of links with needle bearings, spacers, thrust washers, Tinnerman washers, and flat head screws.

Coupling Model	Repair Kit p/n
L259C	S040450
L270C	S040550
L280C	S040650
L290C	S040950

