

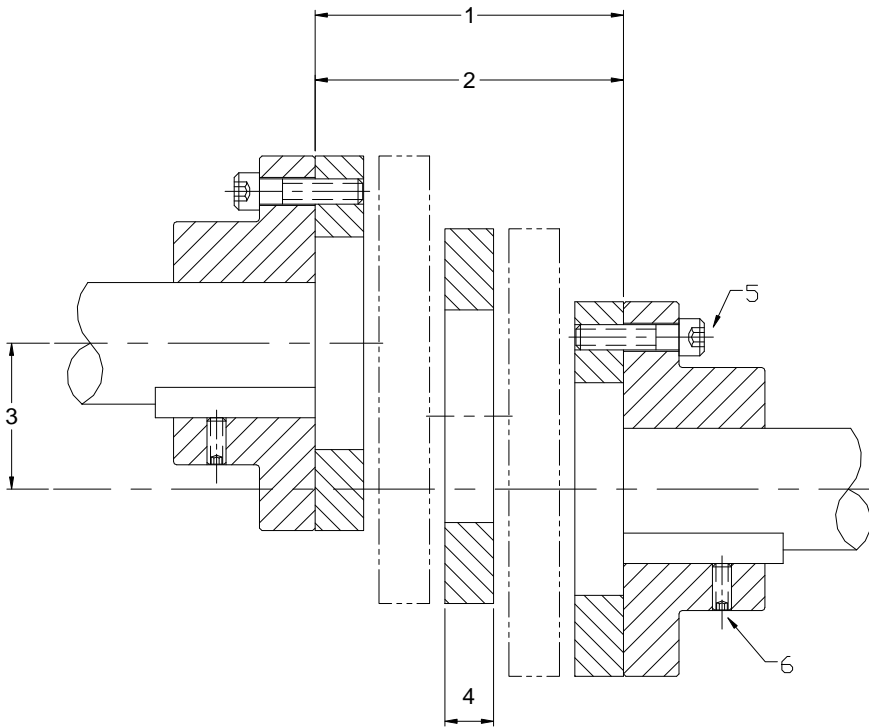
MOTION CONTROL PRODUCTS

Mounting and Lubrication Instructions for Schmidt Offset Couplings

For Coupling Model: **L230C**

The Schmidt Offset Coupling will function properly if these mounting, maintenance and lubrication instructions are followed. Failure to observe these instructions may result in reduced coupling life.

Mounting Instructions



It is important that the following assembly dimensions and tolerances are maintained before and during coupling operation.

Lubrication Instructions

The Schmidt Offset Coupling should be lubricated after the first 200 hours of operation, and again as specified by the lubrication schedule below.

RPM	Under 500	500 to 1000	Over 1000
Lube Cycle	Every 1000 Hours	Every 500 Hours	Every 200 Hours

Note: Always make certain that the lubrication fittings are clean before adding lubricant to prevent the introduction of foreign matter into the bearings. Use standard Alemite flush-type fitting Z-737. Recommended Lubricant: Darina No. 2 (EP) Oil based grease

Position shafts and hubs according to the following values:

1. Hub faces to be parallel within:-----> .020 inch
 Speeds above 1000 rpm should be .015 inch or less.
Minimizing angular misalignment will allow the coupling bearings to achieve their maximum lifetime.
2. Distance between the hub faces:-----> 2.75 +/- .032 inch
3. Minimum shaft displacement not less than:-----> 0.437 inch
 Maximum shaft displacement not to exceed:-----> 1.575 inch
The Schmidt Offset Coupling cannot operate properly outside these limits.
4. Mount coupling between hubs. After installation of the coupling, check that the center disc is free to move laterally a small amount (approximately .015"-.025").
5. Tighten hub bolts to the end discs of the coupling.
6. Tighten setscrews in hub. If shock loads are expected, use two set screws per hub.

Spare Parts for Schmidt Offset Couplings

Item Description	Item Number	L230C
Quantity Required Per Coupling		
Spacer-thick	S952600	12
Washer-thin	S952500	12
Retaining Ring	C132037	12
Needle Bearing	S500700	12
Link Assembly	S700840	6
Long Shaft	S853300	3
Short Shaft	S852800	6

Rebuild Kits for Schmidt Offset Couplings

Standard rebuild kits are available for Schmidt Offset Couplings. Rebuild kits consist of links with needle bearings, spacers, washers, and retaining rings.

Coupling Model	Repair Kit p/n
L230C	S039850

